

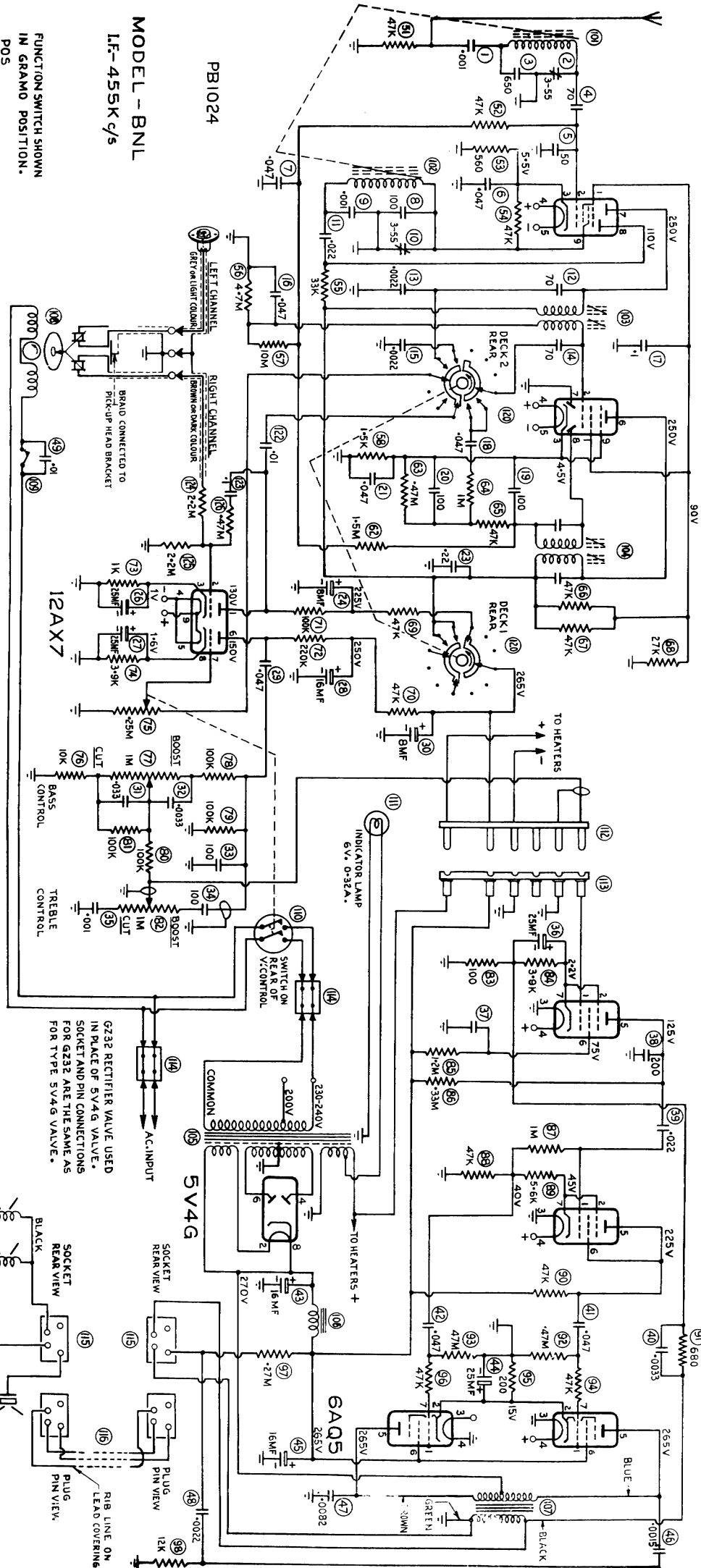
6AN7

6AD8

6AU6

6AU6

6AQ5



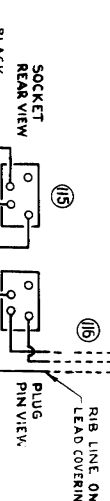
MODEL - BNL
LF-455K c/s

FUNCTION SWITCH SHOWN
 IN GRAMO POSITION.

- POS
 1 GRAMO
 2 RADIO - NORMAL BANDWIDTH
 3 RADIO - WIDE BANDWIDTH

VOLTAGES ON CIRCUIT ARE MEASURED BETWEEN POINTS INDICATED AND CHASSIS WITH A DC VACUUM TUBE VOLTMETER 250V, 50 CYCLE AC. INPUT TO POWER TRANS. 230-240V. PRL. TAP. WHEN MEASURING VOLTAGES IN HIGH IMPED. CIRCUITS - LOWER READINGS THAN THOSE SHOWN WILL BE OBTAINED - IF A VTVM. IS NOT USED - DEPENDS ON THE RESISTANCE OF THE METER USED EG. 1000Ω/VOLT OR 20000Ω/VOLT.

GZ32 RECTIFIER VALVE USED
 IN PLACE OF 5V4G VALVE.
 SOCKET AND PIN CONNECTIONS
 FOR GZ32 ARE THE SAME AS
 FOR TYPE 5V4G VALVE.





TECHNICAL BULLETIN

MODEL — BNL
TWO UNIT GRAMO-RADIO COMBINATION

The Model 'BNL' is a Model 'ANL' two unit grammo-radio combination which has been modified so that it may be used with an additional amplifier/speaker unit for Stereophonic reproduction.

Except for the modifications detailed below, the hardware listed on page 2 and the circuit diagram attached, all reference is to be made to Model 'ANL' Service data bulletin 'ANL-1' for service instructions, alignment procedure and component parts list.

- A. The four speed record changer unit part No. M439 has been changed to a four speed record changer part No. M497 which has a stereoc cartridge in the head of the pick-up arm.
- B. The left channel lead from the stereo cartridge is wired to a socket located on the rear of the receiver cabinet.
- C. The right channel lead from the stereo cartridge is wired to the 2.2 Megohm series input resistor circuit No. 124.

The end of the input lead (lead approx. 18 ft.) from the additional amplifier/speaker unit is inserted into the channel outlet socket at the rear of the cabinet.

The ON/OFF supply mains switch, tone controls and volume control on Model 'BNL' function only on the Model 'BNL'.

